



FRANKSON[®]
GROUP
 Elevator & Escalator

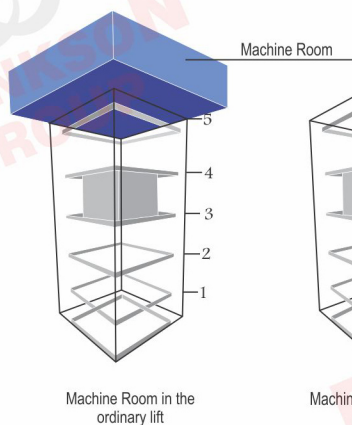
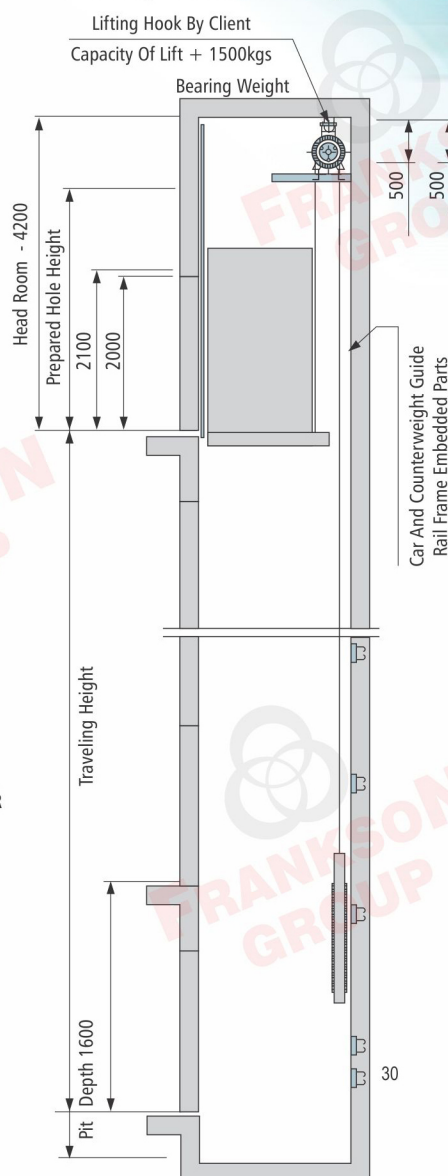
MRL Type (Machine Roomless) Capsule Elevator

40%
 ENERGY SAVE

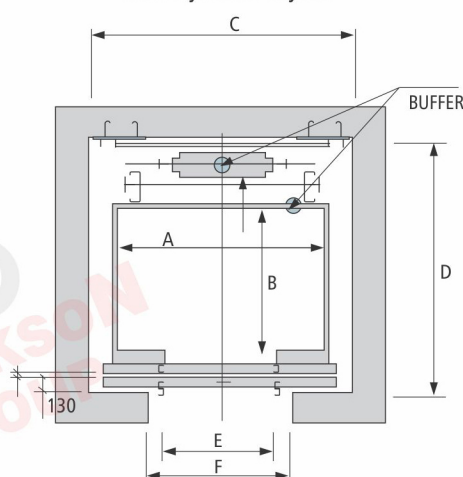


It saves 25% of total elevator equipment area. It reduces 40% of space occupation.

Hoistway Elevation Drawing



Hoistway Plane Layout



MRL ELEVATOR

Capacity		Car Inside		Lift Well		Clear Entrance	Clear Opening At Landing	
Person	Kgs	A	B	C	D	E	F Auto Door	F Manual Telescopic
6	408	1200	900	1800	1400	700	780 / 2100	1450 / 2350
8	544	1300	1100	1900	1600	800	880 / 2100	1600 / 2350
10	680	1300	1300	1900	1800	800	880 / 2100	1600 / 2350
13	884	1600	1400	2200	1900	900	980 / 2100	1700 / 2350